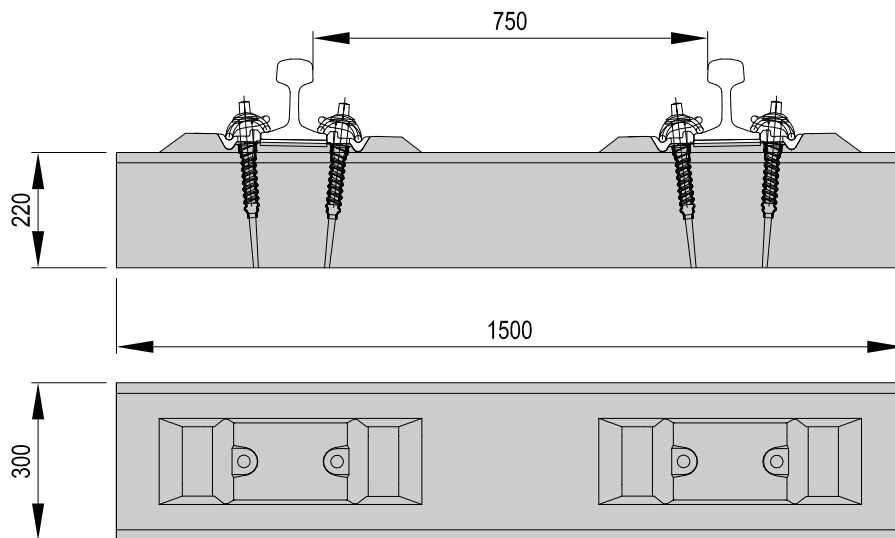


Prestressed Concrete Sleeper for Narrow Gauge SSP 750 for Rail fastening W



All dimensions in mm

Field of application:	Narrow gauge tracks
Permissible wheel set load:	160 kN
Rail inclination:	1:∞ according to customer specification
Track gauge:	750 mm
Rail fastening system:	W 14
Rail:	49 E 1 rail foot width 125 mm or according to customer specification
Weight:	With rail fastening system, approx. 270 kg
Can also be delivered with sleeper pads to lower the stress on the ballast. Sleeper pads provide vibration protection preserve the ballast under the tracks and lengthen the service life of the track.	
Produced according to DIN EN 13230	

Leonhard Moll Betonwerke GmbH & Co KG

Lindwurmstraße 129 a
D-80337 München

Fon: +49 (0) 89 / 74 11 48 - 50
Fax: +49 (0) 89 / 74 11 48 - 70

Anderter Straße 95
D-30629 Hannover

Fon: +49 (0) 511 / 51 98 97 - 0
Fax: +49 (0) 511 / 51 98 97 - 50

Landstraße 50
D-04838 Laußig

Fon: +49 (0) 3 42 43 / 28 68 - 0
Fax: +49 (0) 3 42 43 / 2 50 93

Internet: www.moll-betonwerke.de
E-Mail: info@moll-betonwerke.de